

10 Nm Right-angle gearbox with 33 W motor 33 W Part number 80831004



- Output perpendicular to motor
- Ideal for short reduction ratios
- Silent-running gearbox
- Non-reversible movement at high ratios
- UL approved

Part numbers

	Type	Type	Voltages	Speed (rpm)	Available torque (Nm)	Ratios
80831004	33 W	808310	12 V	50	2,1	30

Specifications

General characteristics

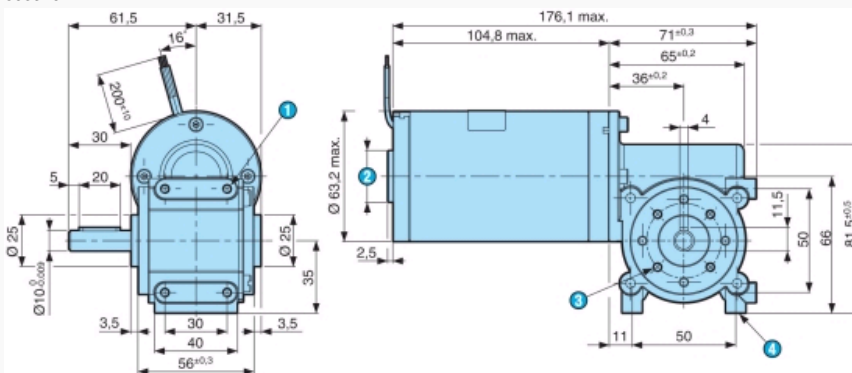
Motor	828300
Gearbox	810410
Maximum permitted torque (Nm)	10
Axial load dynamic (daN)	10
Radial load dynamic (daN)	15
Operating temperature range (°C)	-10 → +40
Service life (h)	5000
Weight (g)	2110
Approvals	UL 1004

Comments

* Continuous operation at nominal torque with an ambient temperature of 25 °C and with a maximum temperature at the gearbox casing not exceeding 75 °C

Dimensions (mm)

808310



N°	Legend
1	4 x M5 depth 8 mm
2	Centring diameter
3	4 x M4 over Ø 36 - depth 8 mm
4	4 x M5 - depth 8 mm

Product adaptations



- Encoder with 1, 5, 12 pulses/revolution - 1 or 2 channels, or 48 pulses/revolution - 1 channel
- 2-channel encoder, 200, 500 or 1000 pulses/revolution
- Left-hand, right-hand, double, special shaft
- Special connectors
- Special reduction ratio
- UL/CSA logo on label

- With 828305 - 67 W motor